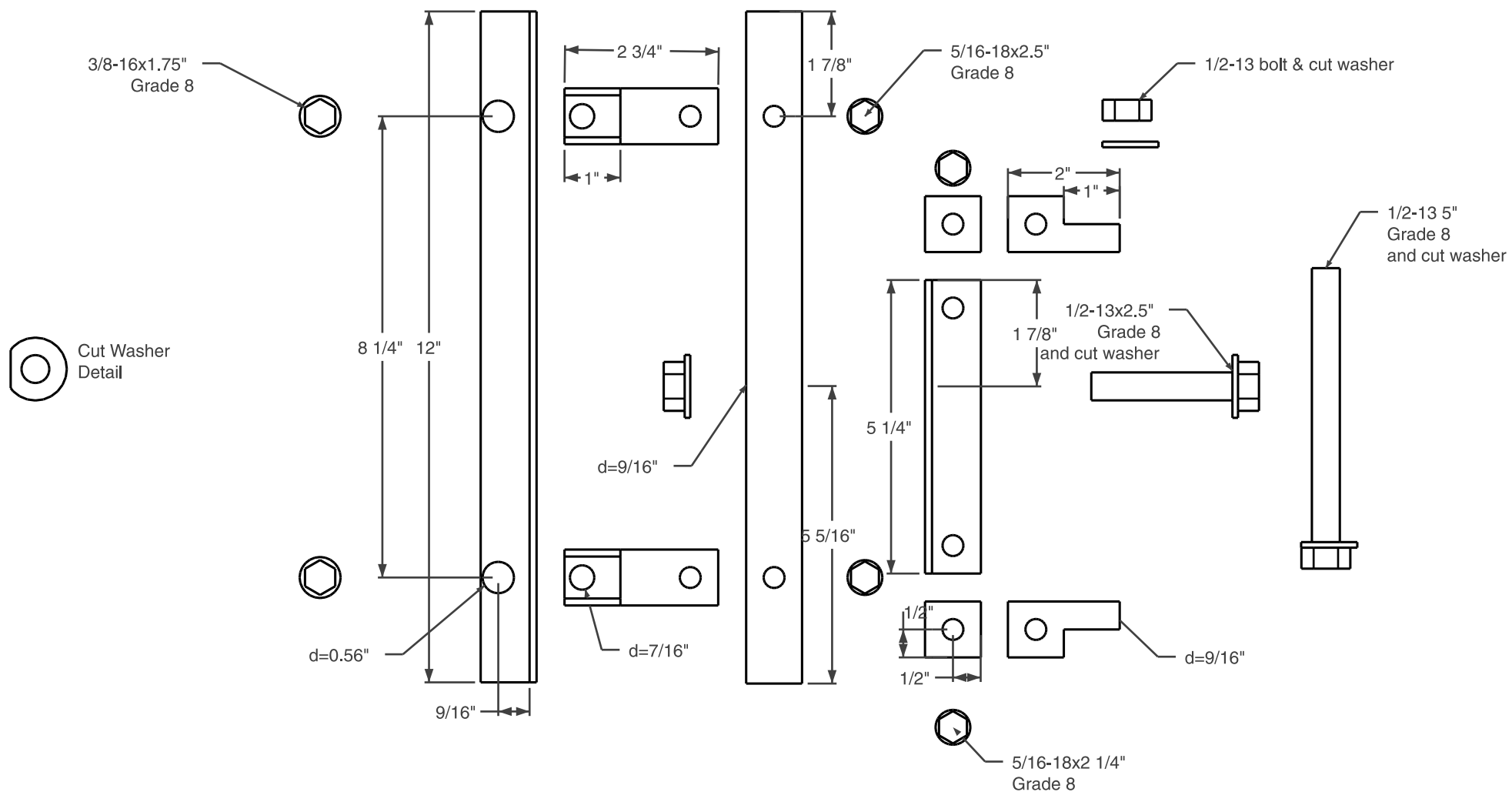


ElectroJeep  
Motor Mount  
Driver's Side  
Ross Cunniff  
Feb 8, 2009 v1.1

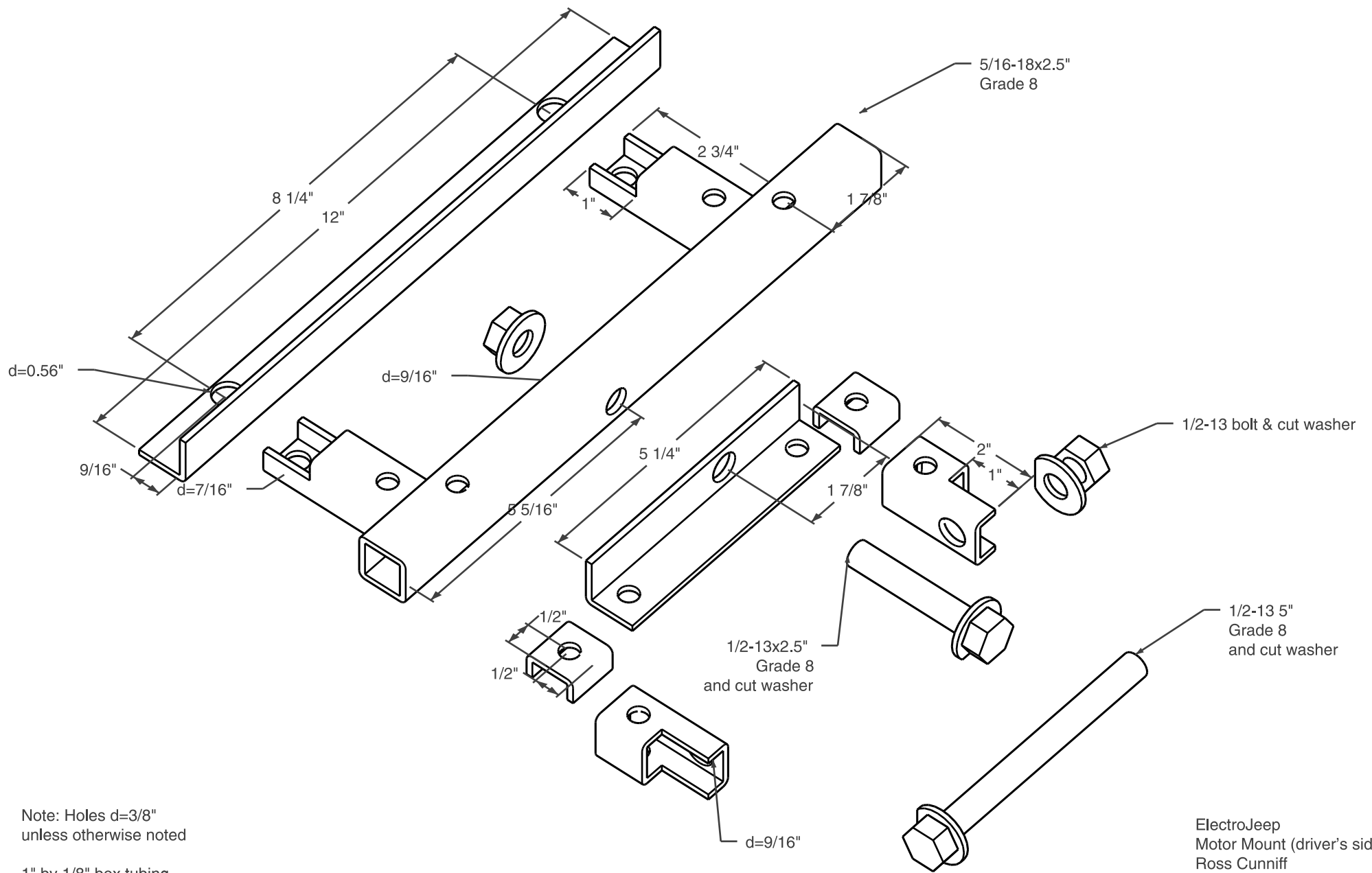


Note: Holes  $d=3/8"$  unless otherwise noted

1" by 1/8" box tubing

1" by 1/8" angle iron

ElectroJeep  
 Motor Mount (driver's side)  
 Ross Cunniff  
 Feb 8, 2009 v1.1



Note: Holes  $d=3/8"$  unless otherwise noted

1" by 1/8" box tubing

1" by 1/8" angle iron

ElectroJeep  
 Motor Mount (driver's side)  
 Ross Cunniff  
 Feb 8, 2009 v1.1