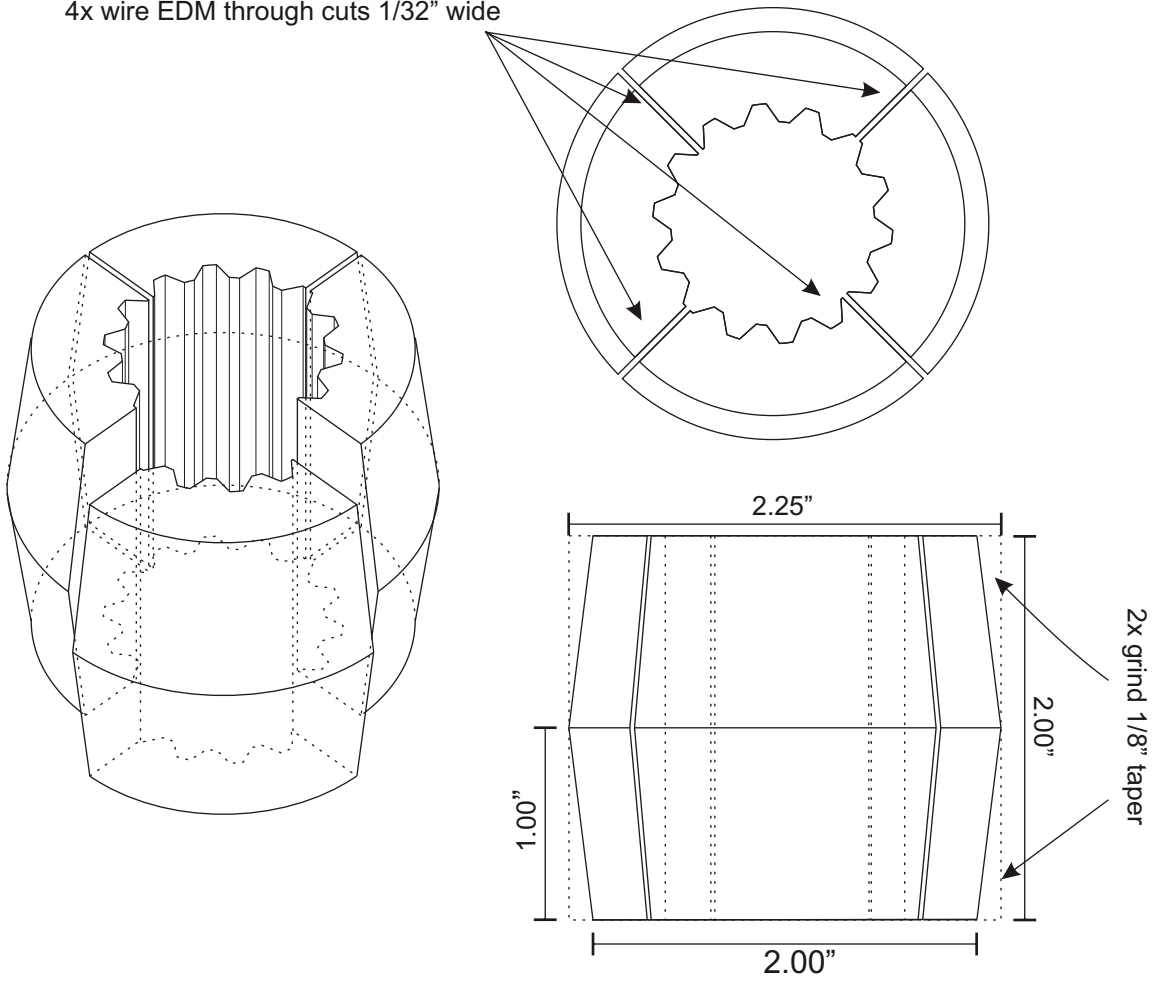


4x wire EDM through cuts 1/32" wide

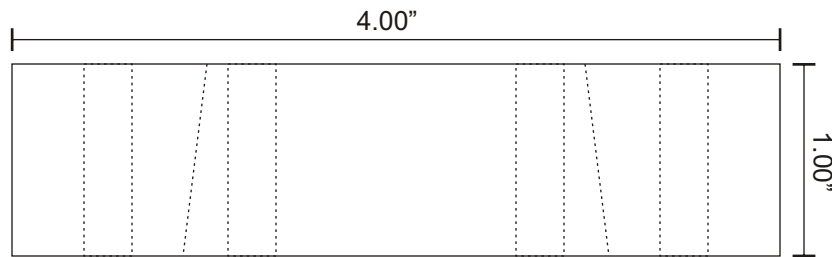
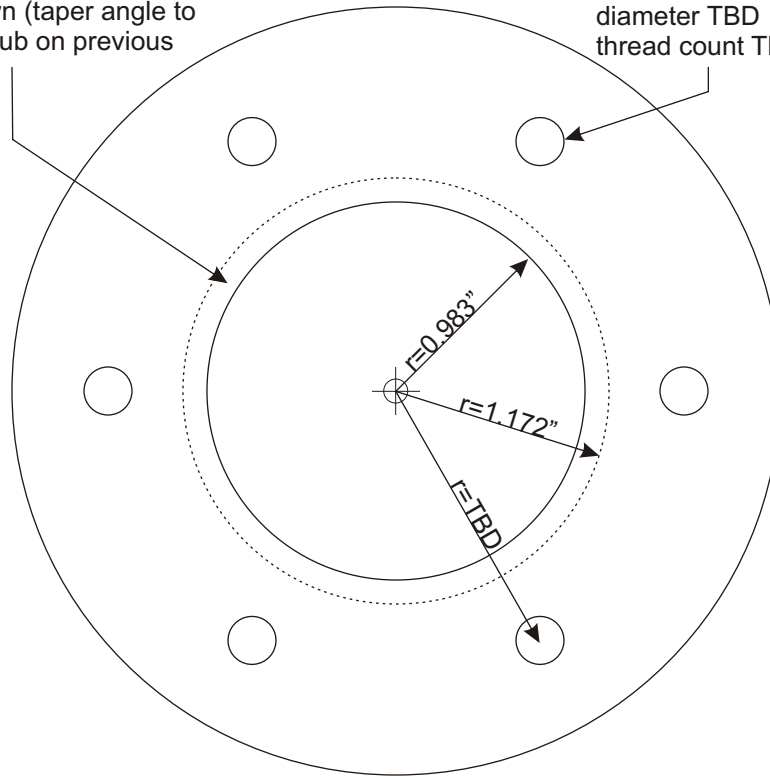


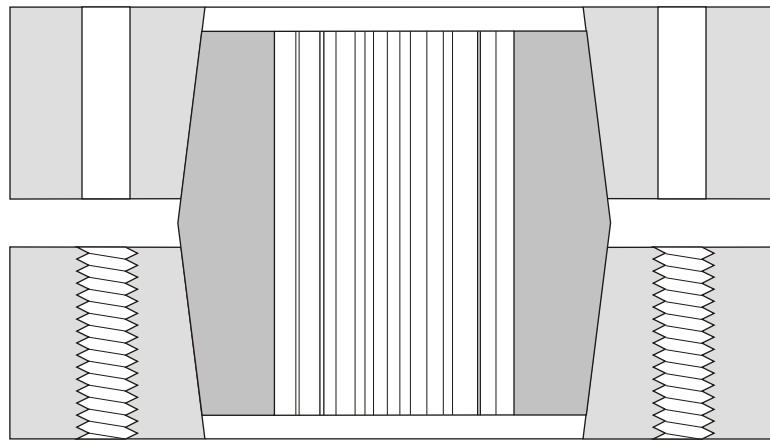
<http://electrojeep.blogspot.com>
Splined hub mods
Ross Cunniff Mar 7 2008

Start with Hub City splined hub p/n 0332-00034
Low-alloy, high-carbon steel, (hardened?)

Tapered center hole
as shown (taper angle to
match hub on previous
page)

Top: 6 holes @60 deg
diameter=TBD
Bot: 6 threaded holes @60 deg
diameter TBD
thread count TBD





<http://electrojeep.blogspot.com>
Finished splined taperlock hub cross-section
Ross Cunniff Mar 7 2008