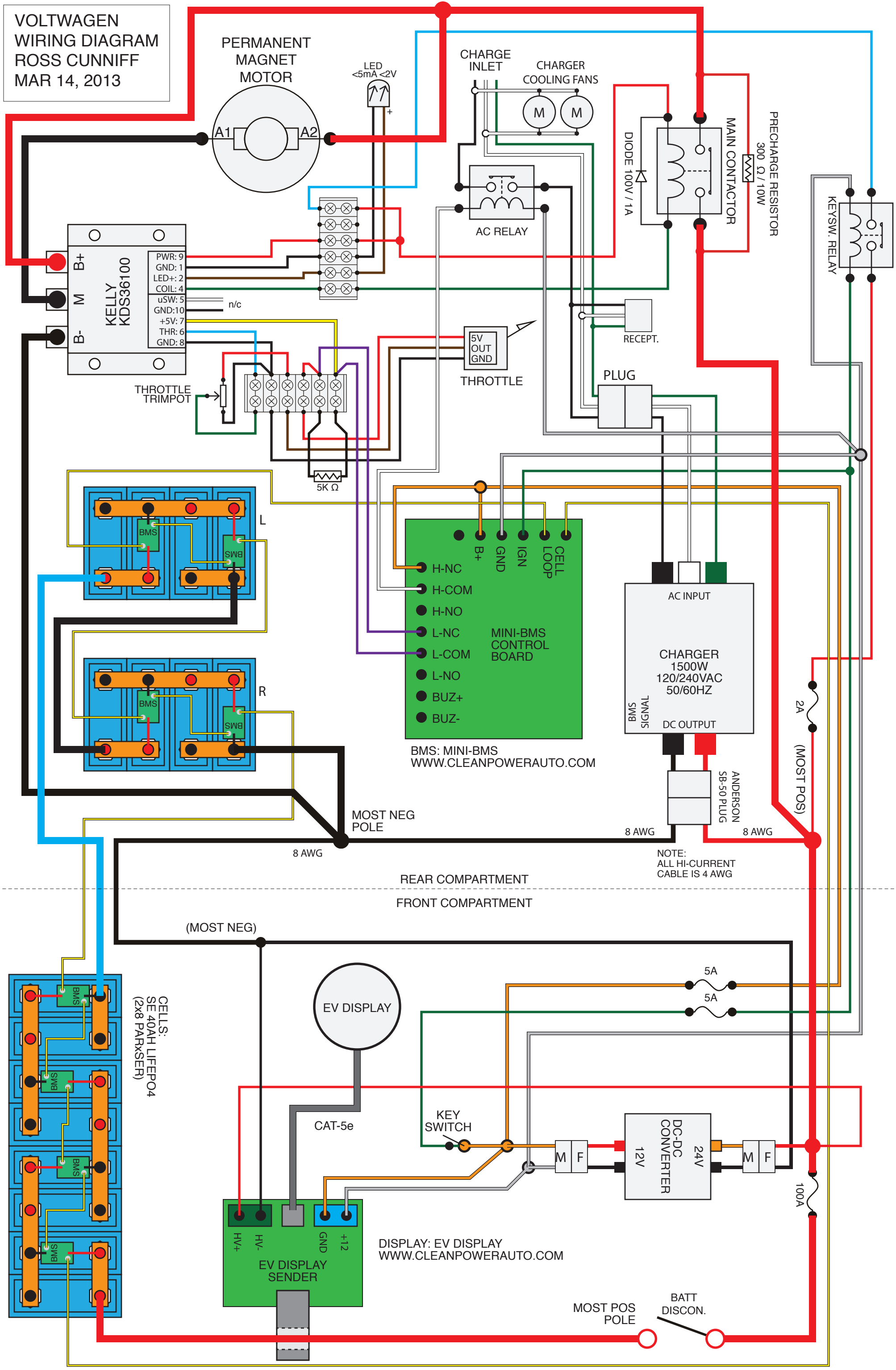


**VOLTWAGEN
WIRING DIAGRAM
ROSS CUNNIFF
MAR 14, 2013**



PERMANENT
MAGNET
MOTOR

LED
<5mA <2V

CHARGE
INLET

CHARGER
COOLING FANS

PRECHARGE RESISTOR
300 Ω / 10W

KELLY
KDS36100

PWR:	9
GND:	1
LED+:	2
COIL:	4
uSW:	5
GND:	10
+5V:	7
THR:	6
GND:	8

THROTTLE
TRIMPOT

5V
OUT
GND
THROTTLE

PLUG

CHARGER
1500W
120/240VAC
50/60HZ

MINI-BMS
CONTROL
BOARD

- H-NC
- H-COM
- H-NO
- L-NC
- L-COM
- L-NO
- BUZ+
- BUZ-

BMS: MINI-BMS
WWW.CLEANPOWERAUTO.COM

L

R

MOST NEG
POLE

NOTE:
ALL HI-CURRENT
CABLE IS 4 AWG

REAR COMPARTMENT
FRONT COMPARTMENT

(MOST NEG)

EV DISPLAY

CELLS:
SE 40AH LIFEP04
(2x8 PARXSER)

CAT-5e

EV DISPLAY
SENDER

DISPLAY: EV DISPLAY
WWW.CLEANPOWERAUTO.COM

DC-DC
CONVERTER
12V 24V

KEY SWITCH

MOST POS
POLE

BATT
DISCON.